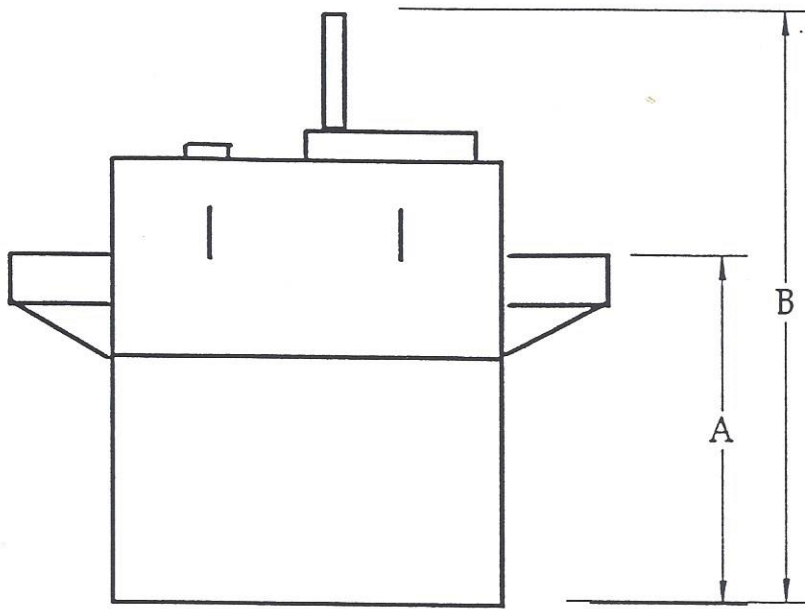
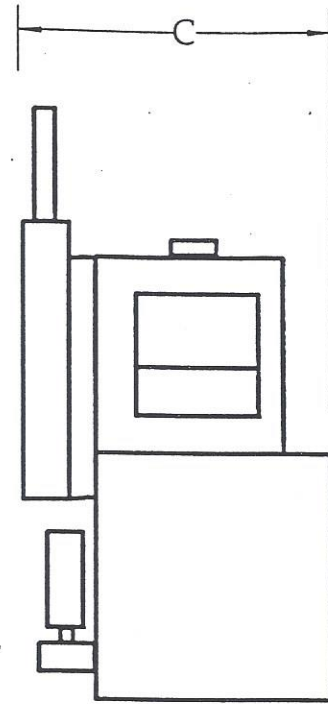


MODEL	A	B	C	D	E	F	G	H	GAL
B-50	22.5"	39.25"	79"	47"	71"	51"	51.25"	27"	110
B-100	22.5"	39.5"	78.5"	48"	92"	72"	54.25"	27"	180
B-200	22.5"	41.5"	78.5"	51.25"	94.25"	72"	59.75"	28.25"	200

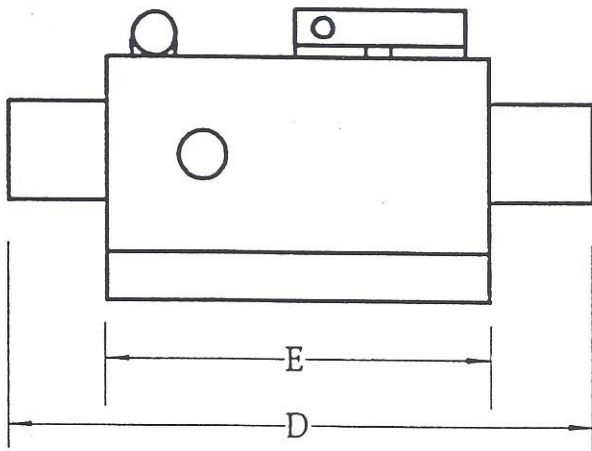
Fourway Automatics Auger Type Parts Washer



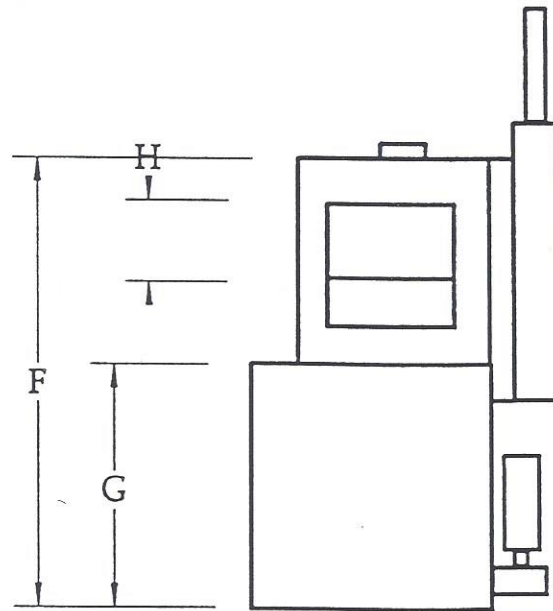
Side View



Exit View



Top View



Entrance View

Model	A	B	C	D	E	F	G	H	Gal.
B-50	42-1/2"	82"	44-1/2"	96"	48-1/2"	60-5/8"	27-1/4"	12"	110
B-100	42-1/2"	N/A	N/A	120"	72"	60-5/8"	27-1/4"	12"	180
B-200	42-1/2"	N/A	N/A	120"	72"	60-5/8"	27-1/4"	14"	200

Fourway Conveyor Type Parts Washer